

# Simple IC Motor Drivers

Name : \_\_\_\_\_

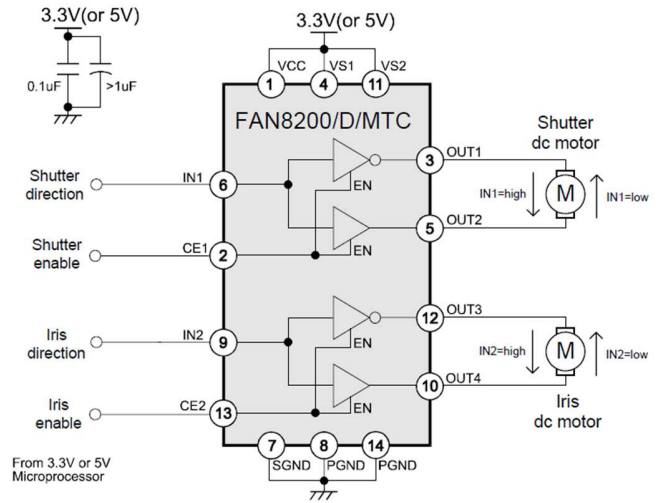
**Note:** Each circuit must be demonstrated to the instructor.

**Objectives:**

- To examine, construct, and test Integrated circuit DC motor driver circuits.

**Procedure:**

- Connect two motors to the FAN8200 IC according to the image at right (which is from the IC's datasheet.)
- Power the circuit (and motors) and demonstrate that you can change motor direction.



**Demo** \_\_\_\_\_

- Write a short Arduino program to make your robot do a figure 8.
- Demonstrate your program.

**Demo** \_\_\_\_\_